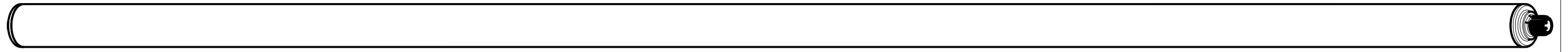


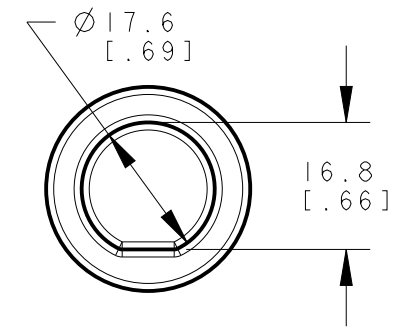
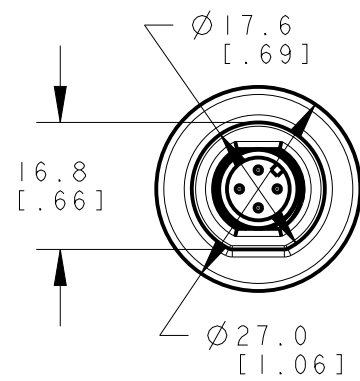
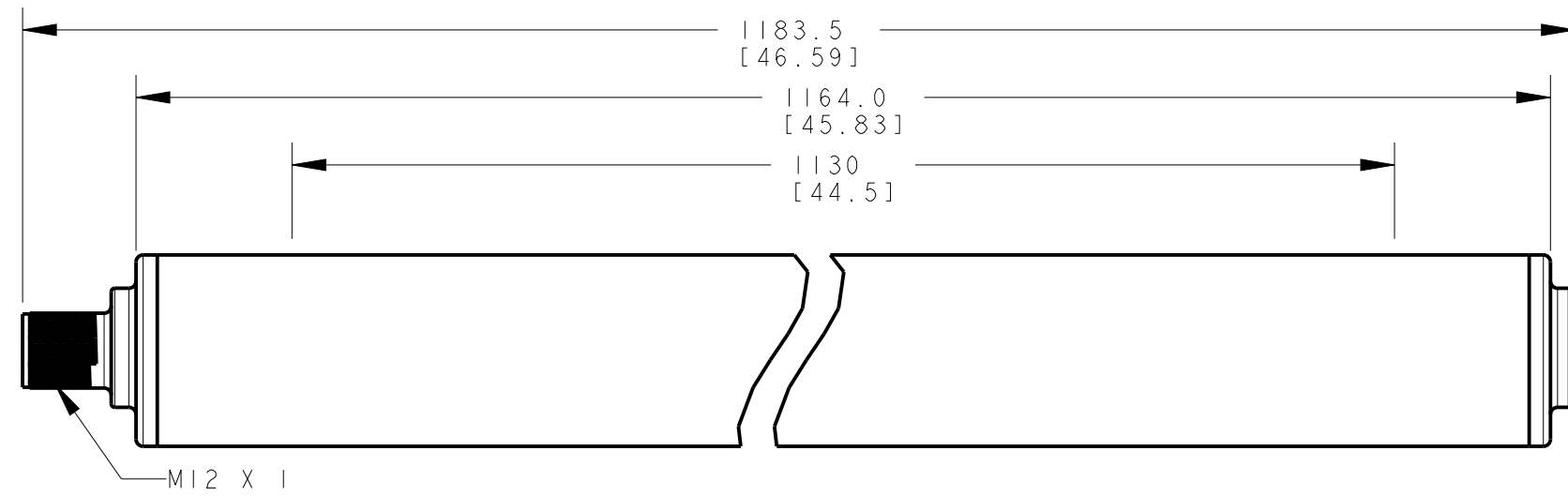
8 | 7 | 6 | 5 | 4 | 3 | 2 | 1



ISOMETRIC VIEW  
SCALE 2:5

D  
C  
B  
A

D  
C  
B  
A



This drawing is the property of BANNER ENGINEERING CORP. Any use or reproduction, in any form, without prior written permission of Banner is prohibited. © 2015 Banner Engineering Corp.

**BANNER** BANNER ENGINEERING CORP.  
www.bannerengineering.com

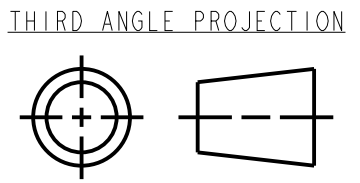
TITLE  
**WLS27X\_1130SO**

SIZE B DRAWING NO. **185304** REV. **B**

SCALE 1:1 SHEET 1 OF 1

CREO

NOTES:  
1. ALL DIMENSIONS ARE MILLIMETERS [INCHES] UNLESS OTHERWISE NOTED.  
2. REFER TO "www.bannerengineering.com" FOR ADDITIONAL DATA AND SPECIFICATIONS.



8 | 7 | 6 | 5 | 4 | 3 | 2 | 1